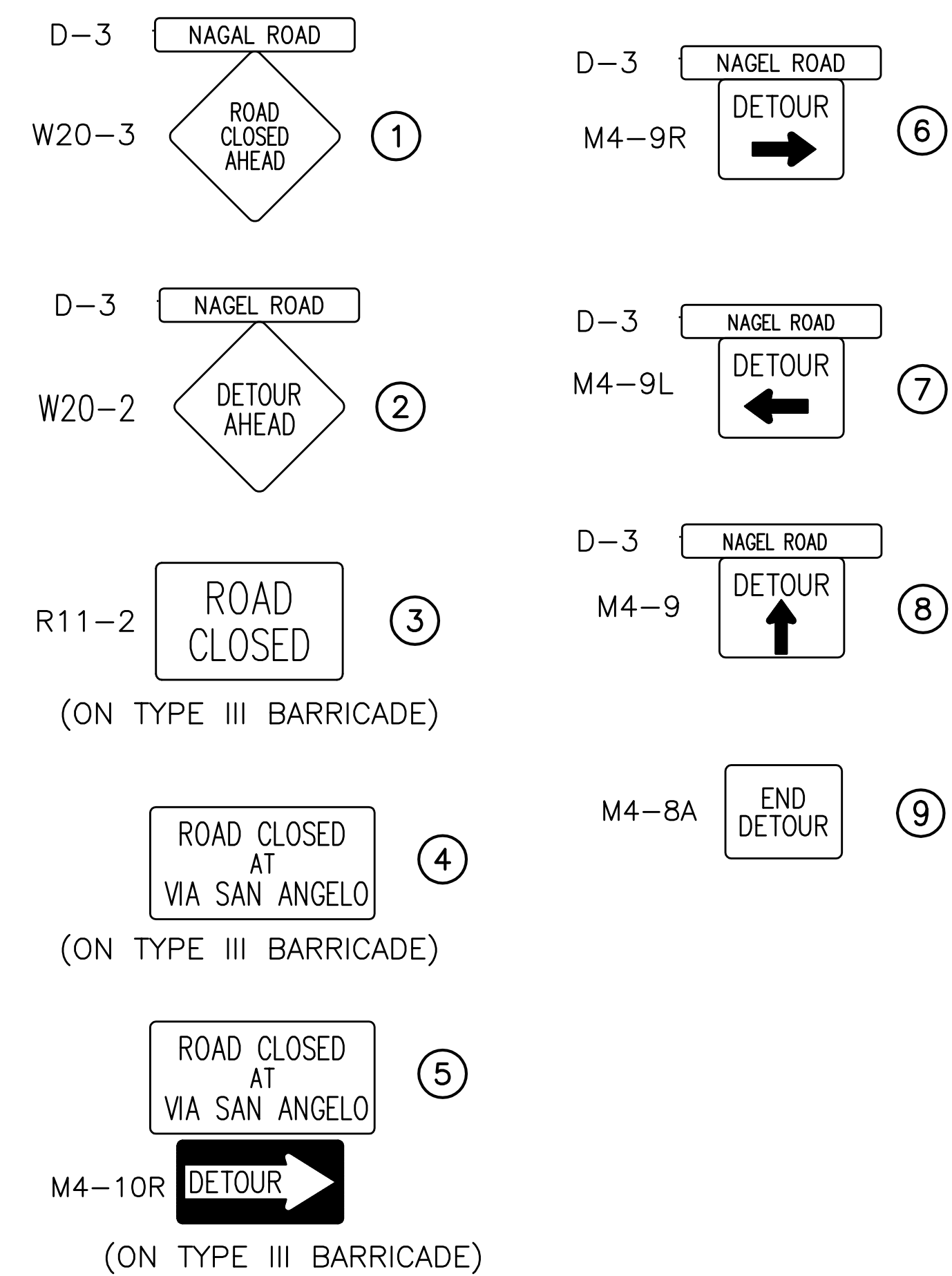


0 250 500 1000  
HORIZONTAL SCALE IN FEET

T SIGN POST (TEMPORARY)  
TT TYPE III BARRICADE

**NOTES:**

- 1.) ALL DETOUR SIGNS TO BE TYPE "G" SHEETING.
- 2.) ALL DETOUR SIGN SPACING SHALL BE PER THE OHIO MANUAL OF UNIFORM TRAFFIC CONTROL DEVICES (OMUTCD).



REVISIONS

NO.	DESCRIPTION

DETOUR PLAN  
**MILLS ROAD WATER TOWER**  
CITY OF AVON  
COUNTY OF LORAIN, OHIO

DESIGNED BY:	BAK
DRAWN BY:	JPS
CHECKED BY:	REC
DATE:	APRIL 2016
SCALE:	1"=500'
SCALE:	NA
PROJECT NUMBER	<b>15108</b>
Drawing Name	15108 Det Plan
SHEET:	<b>1</b>
TOTAL SHEETS:	<b>1</b>