



**City of North Ridgeville**  
7307 Avon Belden Road, North Ridgeville, Ohio 44039  
Telephone: (440) 353-0842 Fax: (440) 353-0823  
Engineering Department



## **INSTRUCTIONS FOR INSTALLATION OF PRIVATE STORM LATERALS**

### **REQUIREMENTS FOR PERMIT:**

- Completed application form
- Plot plan of property showing lot lines, setbacks & drainage
- Estimated cost of construction
- Name of Contractor, if applicable (Contractor must be registered with the City of North Ridgeville)
- Homeowner's signature or copy of signed agreement/contract

### **REVIEW PROCESS: (allow 1 week for processing)**

- Submit application and drawing(s) to Building Department
- Review of the grading/drainage & easements with Engineering Department is required prior to issuance of permit
- Building Department will notify applicant when plan review is complete and permit is ready to be picked up

### **FEES:**

- See fees listed on Residential Building Permit Fees page (website or handout)
  - Base Permit Fee
  - Administration Fee

### **CONNECTION SPECIFICATIONS AND EASEMENTS:**

- Lateral connections may be connected to existing storm infrastructure located in storm easements, with City Engineer approval (indicate request on drawing at the time of application submission)
- Must use lateral connections based on attached specifications. (Kor-N-Tee for RCP pipe and Inserta-Tee connection for plastic pipe)
- No grade change authorized without grading plan and approval of City Engineer

### **INSPECTIONS REQUIRED:**

- Must call 24 hours in advance for inspection
- Trench must be left open and pipe joints exposed



**THE CITY OF NORTH RIDGEVILLE**  
 7307 Avon Belden Road, North Ridgeville, Ohio 44039  
 Telephone: (440) 353-0822 Fax: (440) 353-0823



**Building Department**

**RESIDENTIAL PLAN APPROVAL APPLICATION**

CONTRACTOR: \_\_\_\_\_  
 NAME DATE

ADDRESS PHONE

PROPERTY OWNER: \_\_\_\_\_  
 NAME

ADDRESS CITY ZIP PHONE

CONSTRUCTION SITE ADDRESS: \_\_\_\_\_

**(CHECK ALL ACTIVITIES PERTAINING TO THIS APPLICATION)**

**NEW CONSTRUCTION:**  Single Family  Multi-Family # of Units \_\_\_\_\_

Square Feet: Finished Basement: \_\_\_\_\_ 1<sup>st</sup> Fl.: \_\_\_\_\_ 2<sup>nd</sup> Fl.: \_\_\_\_\_ Total: \_\_\_\_\_

Garage:  Attached  Detached  Storage Building Size: W \_\_\_\_\_ x D \_\_\_\_\_ Square Feet: \_\_\_\_\_

Sub Lot # \_\_\_\_\_ Permanent Parcel # \_\_\_\_\_ Water Permit # \_\_\_\_\_

Zoning District : \_\_\_\_\_ Subdivision: \_\_\_\_\_ Model / Plan Name: \_\_\_\_\_

**YARD REQUIREMENTS:** Width at R.O.W. : \_\_\_\_\_ Flood Plain Zone: \_\_\_\_\_

**ADDITION / ALTERATION:** Year Dwelling Built: \_\_\_\_\_ Addition / Alteration Square Footage: \_\_\_\_\_

Dwelling Addition  Garage Addition  Storage Bldg. Addition  Kitchen Remodel  Basement Remodel

**GENERAL PERMITS:**

- Re-Siding  Re-Roofing  Fire Damage Repair  Second water meter
- Demo  Above Ground Pool  In Ground Pool  Lawn Sprinkler
- Gazebo  Other : \_\_\_\_\_
- Fence Style: \_\_\_\_\_ Size: \_\_\_\_\_
- Deck Size: \_\_\_\_\_ Square Feet: \_\_\_\_\_

**GENERAL PERMIT FEES:**

PERMIT	\$ _____
STATE 1%	\$ _____
ADMIN.	\$ _____
TOTAL	\$ _____

**HVAC** Heat:  New  Replacement A/C:  New  Replacement Fireplace:  New  Replacement

Condensing Unit Location:  Rear yard  Left side yard  Right side yard

Furnace Capacity: \_\_\_\_\_ BTU's Water Heater Capacity: \_\_\_\_\_ BTU's

Furnace Fuel Type  Natural Gas  L.P. Gas  Electric  Other \_\_\_\_\_

Water Heater Fuel Type  Natural Gas  L.P. Gas  Electric  Other \_\_\_\_\_

Air Conditioner Capacity \_\_\_\_\_ Tons Ductwork Type:  Sheet metal  Duct board

Gas Meter Location  Front yard  Rear yard  Left side yard  Right side yard

Water Meter Location  Front  Rear  Left side  Right side

The following information must be clearly identified on the Construction drawings: **Furnace location, water heater location, vent termination for dryer, furnace & water heater, water meter location (if slab construction)**

**Indicate 2009 IECC compliance method:** \_\_\_\_\_



**THE CITY OF NORTH RIDGEVILLE**  
**7307 Avon Belden Road, North Ridgeville, Ohio 44039**  
**Telephone: (440) 353-0822 Fax: (440) 353-0823**



**Building Department**

**PLUMBING**

New       Alteration       Service Line

*Indicate fixture count below:*

Water Closet \_\_\_\_\_ Floor Drain \_\_\_\_\_ Bidet \_\_\_\_\_ Backflow Device \_\_\_\_\_  
 Lavatory Sink \_\_\_\_\_ Laundry Tub \_\_\_\_\_ Water Heater \_\_\_\_\_ Clothes Washer \_\_\_\_\_  
 Bath Tub \_\_\_\_\_ Dishwasher \_\_\_\_\_ Sewage Grinder \_\_\_\_\_ Sump Pump \_\_\_\_\_  
 Hot Tub \_\_\_\_\_ Shower \_\_\_\_\_ Garbage Disposal \_\_\_\_\_ Other \_\_\_\_\_

Building Main Drain size: \_\_\_\_\_ inches      Building Water Service size: \_\_\_\_\_ inches

Water Distribution System       Copper       PVC / plastic

**ELECTRICAL**

New       Alteration / Addition       Service Change       Service Entrance

Service Amps \_\_\_\_\_

*Indicate load wattages & amperages for each item applicable below:*

Range \_\_\_\_\_ watts      Cook top \_\_\_\_\_ watts      Oven \_\_\_\_\_ watts  
 Electric Water Heater \_\_\_\_\_ watts      Electric Clothes Dryer \_\_\_\_\_ watts      Gas Clothes Dryer \_\_\_\_\_ watts  
 Dishwasher \_\_\_\_\_ watts      Disposal \_\_\_\_\_ watts      Sump Pump \_\_\_\_\_ watts  
 Sewage Ejector \_\_\_\_\_ watts      Water Pump \_\_\_\_\_ watts      \_\_\_\_\_ watts  
 Air Conditioner \_\_\_\_\_ volts      \_\_\_\_\_ amps      Furnace \_\_\_\_\_ volts      \_\_\_\_\_ amps  
 Electric Space Heater \_\_\_\_\_ volts      \_\_\_\_\_ amps      Heat Pump \_\_\_\_\_ volts      \_\_\_\_\_ amps

TRADE	NAME OF CONTRACTOR	REGISTERED	
Masonry	_____	<input type="checkbox"/> Yes	<input type="checkbox"/> No
Carpentry	_____	<input type="checkbox"/> Yes	<input type="checkbox"/> No
Plumbing	_____	<input type="checkbox"/> Yes	<input type="checkbox"/> No
Electrical	_____	<input type="checkbox"/> Yes	<input type="checkbox"/> No
HVAC	_____	<input type="checkbox"/> Yes	<input type="checkbox"/> No
Decorating	_____	<input type="checkbox"/> Yes	<input type="checkbox"/> No
Floor Covering	_____	<input type="checkbox"/> Yes	<input type="checkbox"/> No
Drywall	_____	<input type="checkbox"/> Yes	<input type="checkbox"/> No
Excavator	_____	<input type="checkbox"/> Yes	<input type="checkbox"/> No
Pool Erector	_____	<input type="checkbox"/> Yes	<input type="checkbox"/> No
Landscaper	_____	<input type="checkbox"/> Yes	<input type="checkbox"/> No
Other	_____	<input type="checkbox"/> Yes	<input type="checkbox"/> No

**NOTE:** All contractors submitted regarding this permit, must be registered and approved by the Building Dept. for the current year.

Cost of Construction: \_\_\_\_\_ Applicant's Signature \_\_\_\_\_

Property Owner's Signature \_\_\_\_\_

Sidewalk Ordinance received date: \_\_\_\_\_ Applicant's Signature \_\_\_\_\_

Date: \_\_\_\_\_ Approved: \_\_\_\_\_



# Kor-N-Tee® Pipe-To-Pipe Connector

## Data Sheet & Installation Instructions



The Kor-N-Tee Pipe-to-Pipe Connector is an economical, watertight seal for concrete pipe that can be installed quickly and easily without complete excavation of the pipe and disruption of the bedding.

Designed for concrete pipe 12 inches and larger with lateral connections 4-10 inches; it provides a flexible lateral connection that accommodates ground movement and helps prevent shear. The toggle and wedge installation band eliminates the need for glue, epoxy or grout when making a connection.

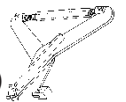
The “positive stop” located inside of the Kor-N-Tee prohibits protrusion of the lateral pipe into the main line and materials of construction meet or exceed ASTM C-923 specifications.

### Installation Instructions:

1. Core a hole in the main line consistent with the model number for the lateral pipe O.D.
2. Inspect the inside surface of the cored hole. If there is porosity or wire-to-cement separation, use patching or hydraulic cement to smooth the surface.
3. Insert the Kor-N-Tee Assembly into the hole and expand the Wedge or Toggle Korband.
4. Insert the lateral pipe until it “bottoms” on the positive stop in the Kor-N-Tee.
5. Install the Lateral Pipe Clamp in the molded groove and tighten to 60 inch pounds using T-Handle Torque Wrench, P/N 80090.

### Installation Tools for Toggle Korband:

Korband Expander Assembly  
(P/N 90349 for 5” & 6”)  
(P/N 90225 for 7”, 9”, & 11”)



Foot Extension for 9” and 11”  
9”: P/N 10831  
11”: P/N 12305



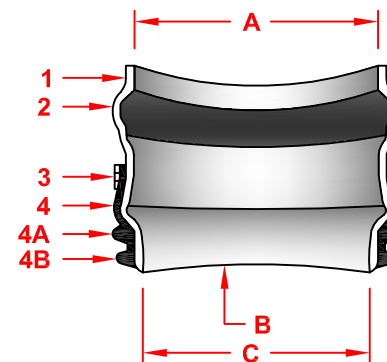
Use in conjunction with P/N 90225

Sizing Chart									
Connector P/N	Lateral Pipe O.D. Range		Hole Size Range		Pipe Clamp	Min. Pipe I.D.	Min. Wall Thickness	Installation Tools Required	
S006-5	4.125	-- 4.800	4.960	-- 5.010	I-80	12	2.00	90349	
S006-6	5.125	-- 5.625	5.960	-- 6.010	I-128	12	2.00	90349	
S006-7B	5.875	-- 6.375	6.995	-- 7.055	I-128	12	2.00	90225	
S006-7BWS								Torque Wrench	
S006-7A	6.750	-- 7.750	6.995	-- 7.055	I-128	12	2.00	90225	
S006-9A	8.000	-- 8.750	8.990	-- 9.050	I-180	18	2.25	90225 & 10831	
S006-9	8.500	-- 9.875	8.990	-- 9.050	I-180	18	2.25	90225 & 10831	
S006-11	10.000	-- 10.750	11.025	-- 11.115	I-190	21	2.50	90225 & 12305	

\* The S006-7BWS with Steel Wedge requires 1/2" socket wrench. Torque to 8ft. Lbs.

## SDR 35 GASKETED BELL GRAVITY APPLICATIONS

- A.** EQUIVALENT O.BELL END ACCEPTS PIPE WITH SDR 35, ASTM D3034 OR EQUIVALENT O.D. SPECIFICATION IN 8", 10", 12", 15", 18", 21", 24", 27", AND 30" SIZES. (FOR 4" AND 6" SIZES REFER TO FATBOY SPECIFICATIONS).
- B.** CURVATURE VARIES WITH MAINLINE DIAMETERS.
- C.** SPIGOT END PVC SDR 35, ASTM D3034 DIAMETERS: 8", 10", 12", 15", 18", 21", 24", 27" AND 30"



PART	PART NAME	MATERIALS
1	HUB ADAPTOR	PVC SDR 35 ASTM D3034
2	RUBBER GASKET	ASTM F477
3	SECURING CLAMP*	BAND SS #301 SCREW SS #305 HOUSING SS #301
4	RUBBER SLEEVE (AVAILABLE IN NITRILE AND EPDM BY SPECIAL ORDER)	ASTM F477
4A	UPPER SEGMENT**	
4B	LOWER SEGMENT***	

\* OPTIONAL: #316 STAINLESS STEEL BAND, SCREW AND HOUSING  
 \*\* DISTANCE BETWEEN 4A AND 4B WILL VARY BY PRODUCT TYPE  
 \*\*\* WILL NOT APPEAR ON RUBBER SLEEVES FOR CONCRETE OR CLAY PIPE

INSERTA TEE SIZE	HOLE DIAMETER
8" (200 mm)	8 3/4" (222mm)
10" (250 mm)	10 7/8" (276mm)
12" (300 mm)	12 7/8" (327mm)
15" (375 mm)	15 13/16" (402mm)
18" (450 mm)	19 3/16" (503mm)
21" (525 mm)	22 9/16" (573mm)
24" (600 mm)	25 9/16" (643mm)
27" (675 mm)	28 1/2" (724mm)
30" (750 mm)	32 17/32" (826mm)

NOTE: RECOMMENDED METHOD OF CUTTING HOLE IS WITH HOLE SAW FOR PVC AND OTHER PLASTICS, AND DIAMOND BIT FOR CONCRETES, CLAY, FRP AND D.I. (SEE INSTALLATION INSTRUCTIONS. HOLE SAWS ARE AVAILABLE FOR PURCHASE OR RENT.)



INSERTA TEE | PO BOX 714  
 CORNELIUS, OR 97113  
 PH: (503) 357-2110 FAX: (503) 359-5417  
 SALES@INSERTATEE.COM

### SDR 35 GASKETED BELL GRAVITY APPLICATION SPECIFICATIONS

SCALE: NTS  
 DATE: 7/30/13  
 DRAWN BY: JJC

THIS PRINT DISCLOSES SUBJECT MATTER IN WHICH INSERTA-TEE HAS PROPRIETARY RIGHTS. THE RECEIPT OR POSSESSION OF THIS PRINT DOES NOT CONFER, TRANSFER, OR LICENSE THE USE OF THE DESIGN OR TECHNICAL INFORMATION SHOWN HEREIN REPRODUCTION OF THIS PRINT OR ANY INFORMATION CONTAINED HEREIN, OR MANUFACTURE OF ANY ARTICLE HEREFROM, FOR THE DISCLOSURE TO OTHERS IS FORBIDDEN, EXCEPT BY SPECIFIC WRITTEN PERMISSION FROM INSERTA-TEE.